



## PRODUCT DATA SHEET

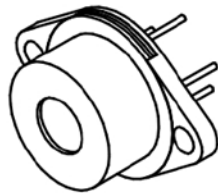
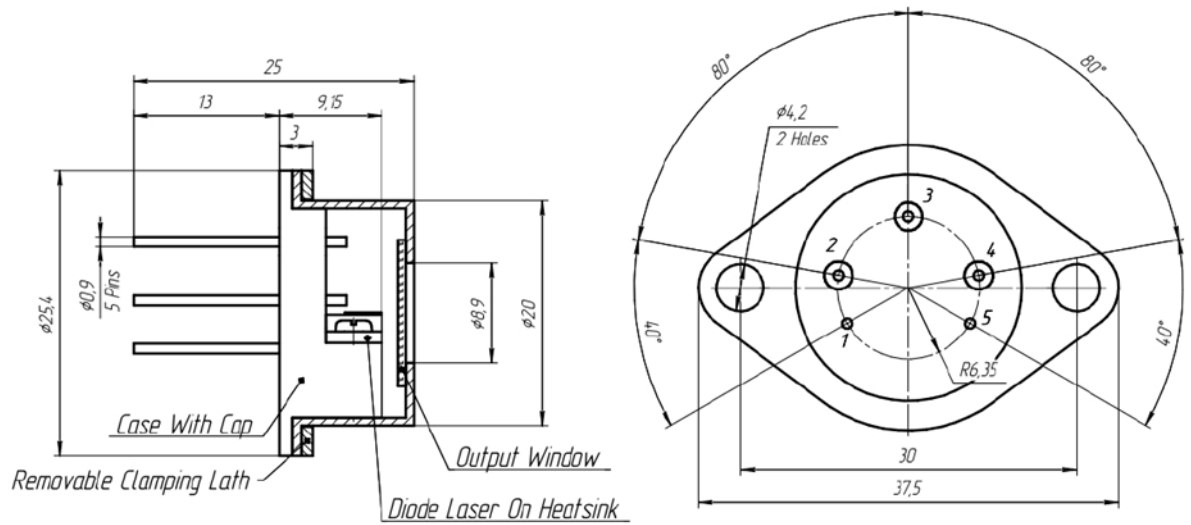
Pulse Laser Diode (TO-3 package) 1060nm 30W

Parameter	Sign	Value			Unit
		Min	Typical	Max	
<b><i>Laser emitter</i></b>					
Pulse output optical power	$P_{op}$	28	30	32	W
Power temperature shift	$\Delta P/\Delta T$	1.0	1.3	1.6	W/ $^{\circ}C$
Operation current (current pulse amplitude)	$I_{pa6}$	45	50	55	A
Emission aperture	$W \times d$		100x1		mkm*mkm
Cut-off voltage	$U_{cut-off}$	1.35	1.4	1.45	V
Resistance	$R_s$	50	100	120	m $\Omega$
Beam divergence in vertical plane (FWHM) (fast axis)*	$\theta_{\perp}$	25	30	35	grade
Beam divergence in horizontal plane (FWHM) (slow axis)	$\theta_{\parallel}$	5	10	15	grade
Wavelength	$\lambda$	1050	1065	1080	nm
Spectrum temperature shift	$\Delta\lambda/\Delta T$	0,33	0,35	0,37	nm/ $^{\circ}C$
<b><i>Operation mode - Pulse</i></b>					
Pulse duration	$\tau$	5	50	100	ns
Pulse frequency	f	-	1	10	kHz
Temperature operation rate*		-40	+25	+50	$^{\circ}C$

Optionally cylindrical lens can be installed into the package, which narrow beam divergence by fast axis to  $1\pm 0.5$  grade (FWHM)



Drawings:



1, 5	LD +
2	PD +
3	PD -
4	LD -